

AC1200 Wireless VoIP GPON Router

MODEL:XC220-G3v



Overview

Compliant with the ITU-T G.984/G.988 GPON standards, XC220-G3v supports maximum data rates of up to 2.488Gbps downstream and 1.244Gbps upstream. Along with four 10/100/1,000Mbps LAN ports, users can enjoy high-speed GPON services and bandwidth-intensive multimedia applications—such as interactive gaming, streaming, and real-time audio—much faster and easier than ever before.



Superfast Dual-Band Wi-Fi

Offers total data transfer speeds achieving up to 1167Mbps, with 867Mbps in 5GHz, and 300Mbps in 2.4GHz.



Full Gigabit Wired

With four gigabit LAN ports, speeds can be up to 10x faster than standard Ethernet connections.



Supports VoIP Calls

With FXS port, users can make or receive phone calls over the Internet simply.



Easy Remote Management

Supports OMCI and TR-069, which make it easy to activate, configure and manage remotely.

Features



Speed

- Blazing Fast Wireless Speed
- Support 802.11 ac
- MU-MIMO Technology
- Gigabit Wired Speed



Wi-Fi Range

- Optimal Range Wi-Fi
- Wi-Fi with Beamforming



Reliability

- Simultaneous Dual Band
- Easy Bandwidth Management



Ease of Use

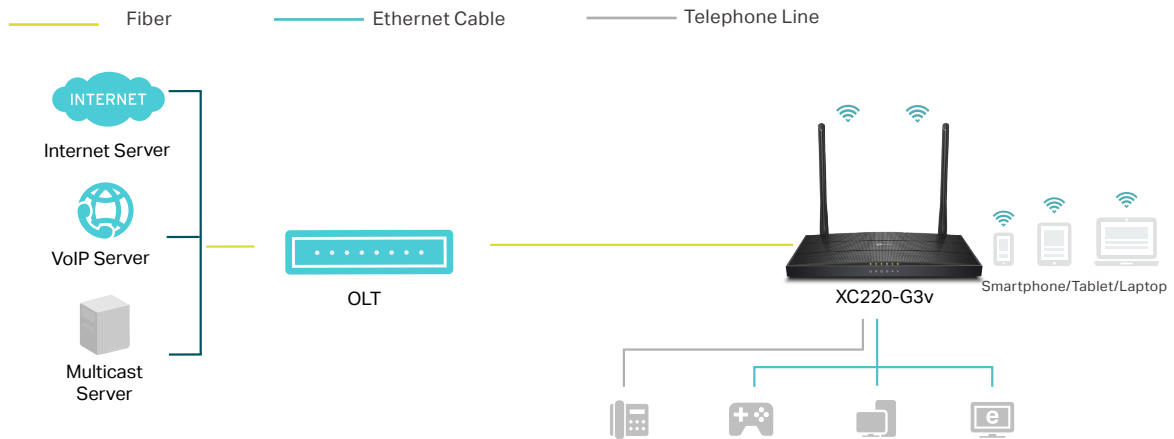
- Intuitive Web UI
- Fast Encryption
- Web UI Upgrade



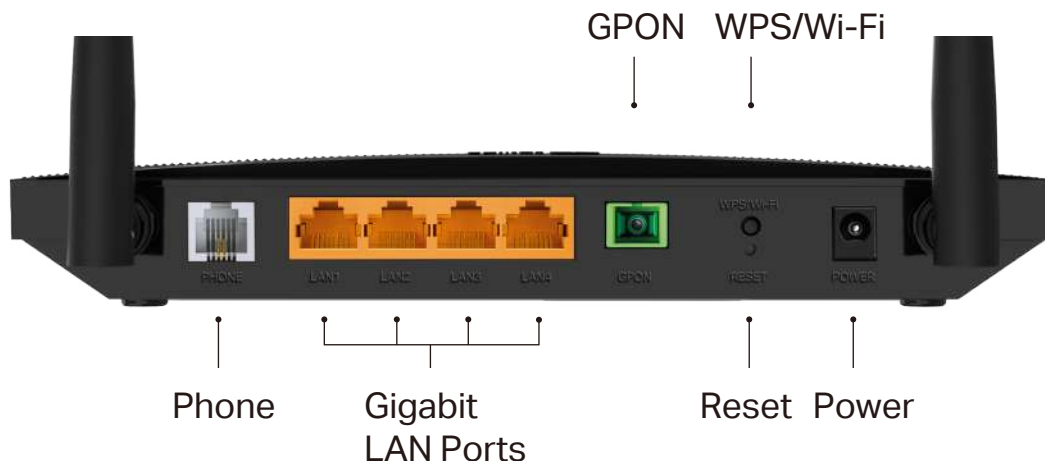
Security

- Multi-SSID
- Parental Control
- Encryptions for Secure Network

Network Topology



Hardware Description



Specifications

Hardware

- **Interface**
4 10/100/1000 Mbps RJ45 LAN Ports, 1 SC/APC GPON Port, 1 RJ11 FXS Port
- **Button**
WPS/Wi-Fi Button, Reset Button
- **External Power Supply**
12V/1A
- **Dimensions (W * D * H)**
8.6 × 6.1 × 1.4 in (217.7 × 155.5 × 36.8 mm)
- **Antenna**
2 External Dual Band Antennas

Wireless

- **Wireless Standards**
IEEE 802.11ac/n/a 5 GHz, IEEE 802.11b/g/n 2.4 GHz
- **Frequency**
2.4 GHz and 5 GHz (not Supports DFS)
- **Signal Rate**
867 Mbps at 5 GHz, 300 Mbps at 2.4 GHz
- **Transmit Power**
2.4 GHz: 26dBm(EIRP), 5 GHz: 28dBm(EIRP)
- **Wireless Function**
Enable/Disable Wireless Radio, WDS Bridge, WMM, Wireless Statistics
- **Wireless Security**
WPA/WPA2/WPA3-PSK
- **Wireless Schedule**
Support 2.4 GHz and 5 GHz Wireless Schedule

Software

- **DHCP**
Server, Client, DHCP Client List, Address Reservation, DHCP Relay
- **Quality of Service**
802.1p QoS
- **Port Forwarding**
Virtual Server, Port Triggering, DMZ, ALG, UPnP
- **Dynamic DNS**
DynDNs, NO-IP
- **VPN Passthrough**
PPTP, L2TP, Pass-through
- **Security**
NAT Firewall, Access Control, MAC/IP/URL Filtering, IP and MAC Address Binding, Defense "Denial of Service (DoS), SYN Flooding, Ping of Death"
- **Advanced Functions**
Parental Control, Network Address Translation(NAT), Port Mapping (Grouping), Static Routing, DNS Relay, DDNS, IGMP V1/V2/V3
- **Management**
Web Based Configuration(HTTP), Remote management, Command Line Interface, SSL for TR-069, Web Based Firmware Upgrade, Diagnostic Tools, OMCI
- **Protocols**
Supports IPv4 and IPv6
- **VoIP Features**
Call hold, Call forward, Warm call, Do not disturb, Call restriction, Speed dial, etc. Caller ID, 3-party conference, SIP account – up to 8 accounts

Others

- **Certification**
CE, FCC, RoHS
- **System Requirements**
Internet Explorer 11+, Firefox 12.0+, Chrome 20.0+, Safari 4.0+, or other JavaScript-enabled browser
Cable or DSL Modem (if needed)
Subscription with an internet service provider (for internet access)
- **Environment**
Operating Temperature: 0°C~40°C (32°F~104°F)
Storage Temperature: -40°C~60°C (-40°F~140°F)
Operating Humidity: 10%~90% non-condensing
Storage Humidity: 5%~90% non-condensing
- **Package Contents**
AC1200 Wireless VoIP GPON Router
RJ45 Ethernet Cable
Power Adapter
Quick Installation Guide
GPL Statement